

Brass Back Plate Elbow

Durable Speedfit to FSBP 90° elbow with integrated back plate (ideal for Bib taps)

Overview

Speedfit DZR brass push-fit elbow with back plate for connecting pipe using a female thread, making it ideal for Bib taps. To connect the push-fit end, simply push onto a plastic or copper pipe. To demount the connection, push the collet towards the body of the fitting and pull the pipe to release.

The fitting is quicker and easier to install in confined spaces than traditional methods as it eliminates the need for hot works.

Designed, manufactured and assembled in the UK.

Features & Benefits

- Instant push-fit connection and durable female thread
- Safe flame-free installation, with no hot works, glue or flux
- Suitable for use with JG Speedfit PEX and polybutylene barrier pipe (inserts required) and copper pipe
- Suitable for hot and cold water and central heating systems



Product code	Description	Size	Bag QTY
15WB	Brass Back Plate Elbow	15mm x 1/2" BSP	1
22WB	Brass Back Plate Elbow	22mm 3/4" BSP	1
15WB2	Brass Back Plate Elbow Short Neck	15mm x 1/2" BSP	1



50 year guarantee when used with JG Speedfit Layflat PB and PEX Barrier Pipes

Brass Back Plate Elbow

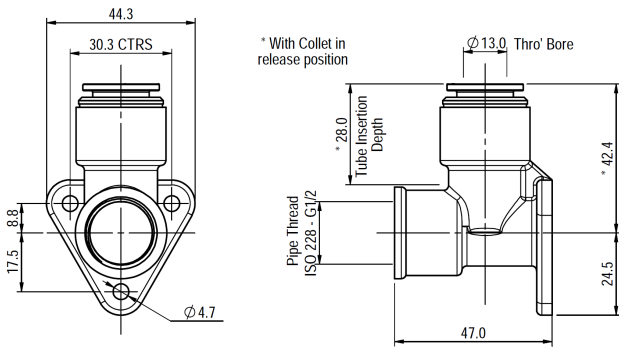
Working parameters & specifications

Application	Usual working temperature °C	Maximum working temperature °C	Maximum working pressure, bar
Cold Water (indirect and direct mains)	20	20	12
Central Heating	82	105, short term malfunction at 114	3
Hot Water (including unvented cylinders)	65	95	6

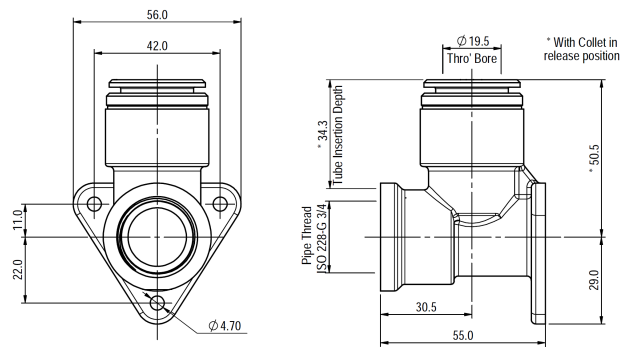
Materials

Body	Brass, CW602N
O-Ring	Ethylene Polypropylene Diene Monomer (EPDM)
Collet	Acetal Copolymer, (Unfilled), White
Collet Teeth	Stainless Steel 301
Support Washer	Acetal Copolymer, (Unfilled), Natural

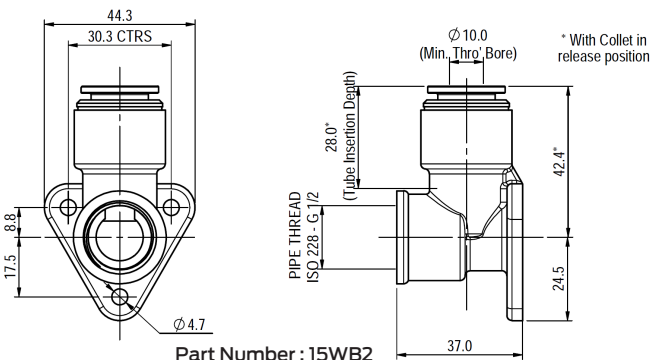
Dimensions – All measurements in mm unless otherwise stated



Part Number : 15WB



Part Number : 22WB



Part Number : 15WB2