

**DATASHEET J4C-35**  
**DATOS TÉCNICOS J4C-35**

**J4C/35**

**INDEX -ÍNDICE**

---

**J4C- 35 (EN)**

|                                      |    |
|--------------------------------------|----|
| <b>GENERAL CHARACTERISTICS</b> ..... | 02 |
| <b>SIZES</b> .....                   | 03 |
| <b>EXPLODED VIEW</b> .....           | 04 |

**J4C - 35 (ES)**

|  |    |
|--|----|
| <b>CARACTERÍSTICAS GENERALES</b> ..... | 07 |
| <b>MEDIDAS</b> .....                   | 08 |
| <b>DESPIECE</b> .....                  | 09 |

## J4C 35 - GENERAL CHARACTERISTICS



| Technical Data               |  |
|------------------------------|--|
| Operation time unload        | 9 Sec. /90°  |
| Maximum torque break         | 38 Nm / 359,3 lb/in                                |
| Maximum operational torque   | 35 Nm / 309 lb/in                                  |
| Duty rating                  | 75%  |
| Max. Working angle           | 0° to 270°   |
| Limit switch                 | 4 SPST NO micro (2 motor stop and 2 confirmations) |
| Automatic heater             | 3,5 W  |
| Big Plug                     | EN 175301-803 FORM A                               |
| Small Plug                   | DIN43650/C   |
| Protection IEC 60529 rating  | IP67   |
| Temperature                  | -20°C +70°C / -4°F +158°F                          |
| ISO 5211 Plate               | Standard: F03/F04/F05 Optional: F07 *17mm          |
| DIN 3337 Female output drive | Standard: *14 Optional: *9, *11mm                  |
| Weight                       | 1,79 kg  |

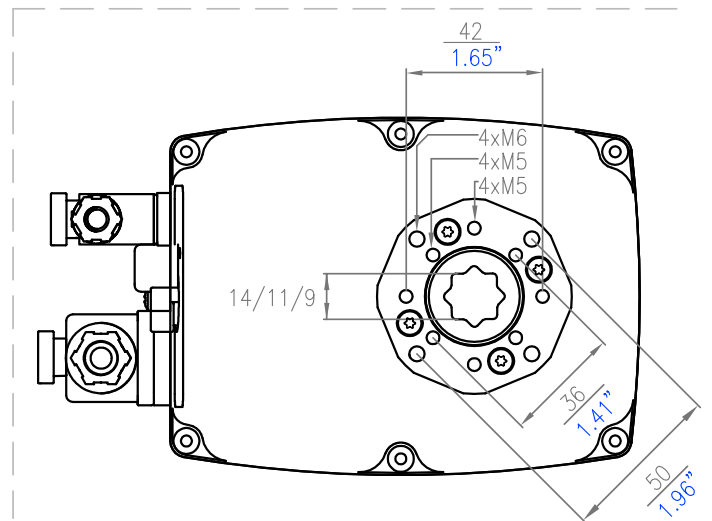
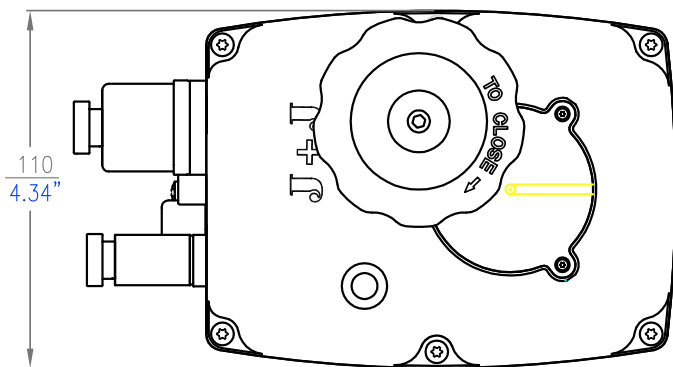
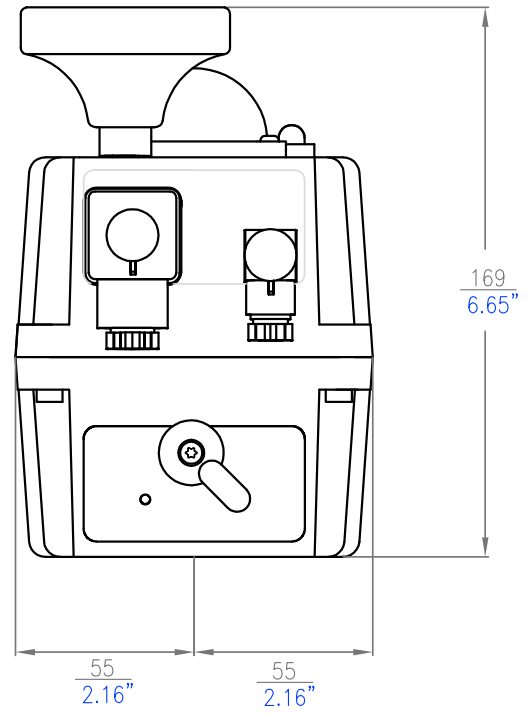
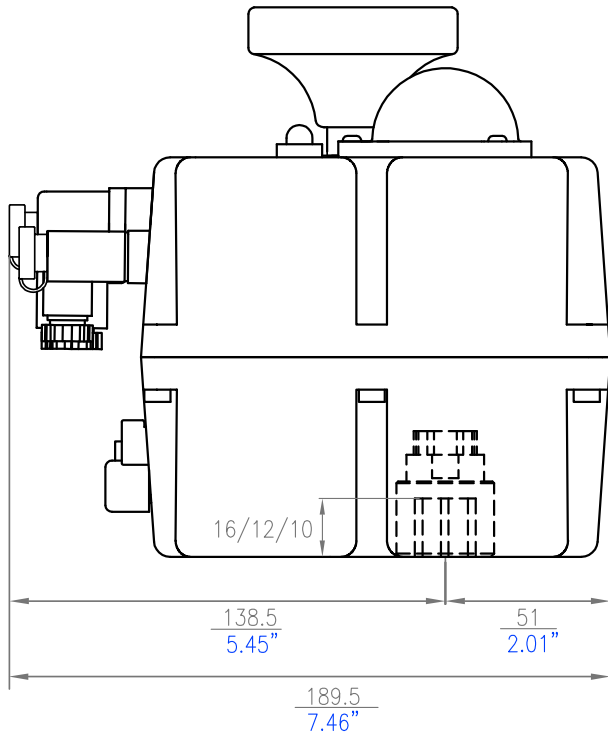
| Electronic Data                           |                       |
|---|-----------------------|
| <b>Electronic Torque Limiter function</b> |                       |
| Electric motor                            | 24VDC Brushless motor |
| Insulation                                | Class B               |
| (IEC 60034) Service                       | S4                    |
| <b>Voltage VDC/VAC 50/60Hz-0/+5%</b>      |                       |
| S35                                       | 24-240 VDC/VAC        |
| B35                                       | 12 VDC/VAC ONLY       |

| Options   |                                |
|---|--------------------------------|
| J4C 20/85 DPS KIT digital positioner                        | 4-20mA, 0-20mA, 0-10V or 1-10V |
| J4C 20/85 BSR KIT emergency fail safe kit system by battery | NC - NO                        |
| Potentiometer   | 1K, 5K or 10K                  |
| 3 position actuator   | 0°-45°-90° or 0°-90°-180°      |

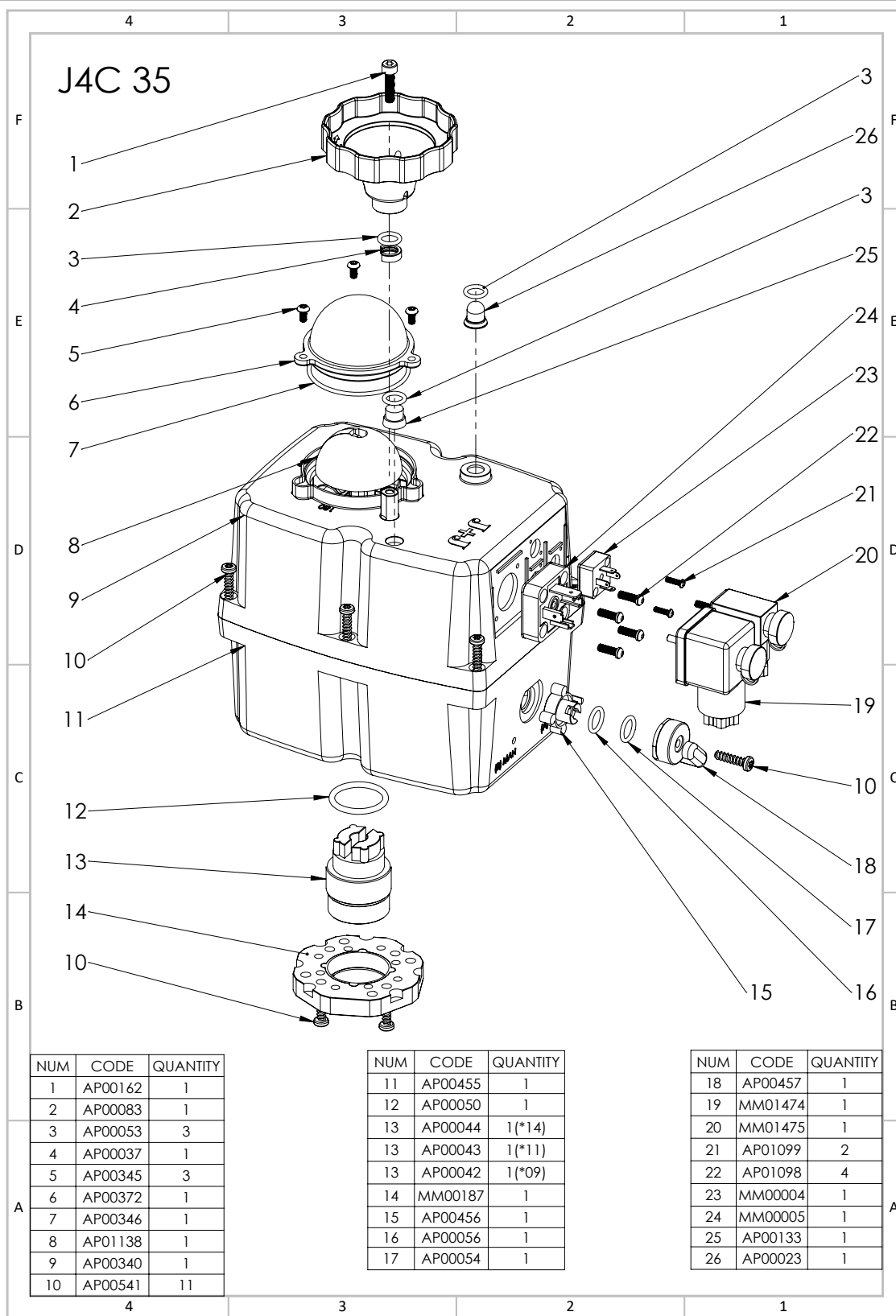
| Materials                 | Standard                             | Optional                         |
|---------------------------|--------------------------------------|----------------------------------|
| Body                      | Anticorrosive Polyamide, Grey colour | Polypropilene V0, Black colour   |
| Cover                     | Anticorrosive Polyamide, Red colour  | Polypropilene V0, Natural colour |
| Output drive              | Zamak, Zinc plated                   | Zamak, TEFLON coated             |
| Flange                    | Zamak and Zinc plated                | Zamak and TEFLON coated          |
| Main external shaft       | Stainless Steel                      | -                                |
| External screws           | Stainless Steel                      | -                                |
| Gears                     | Steel and Polyamide                  | -                                |
| Visual position indicator | Polyamide                            | -                                |
| Dome                      | Polycarbonate                        | -                                |
| Adjustable internal cams  | Polyamide                            | -                                |

Note: Technical data are the same despite the different casings.

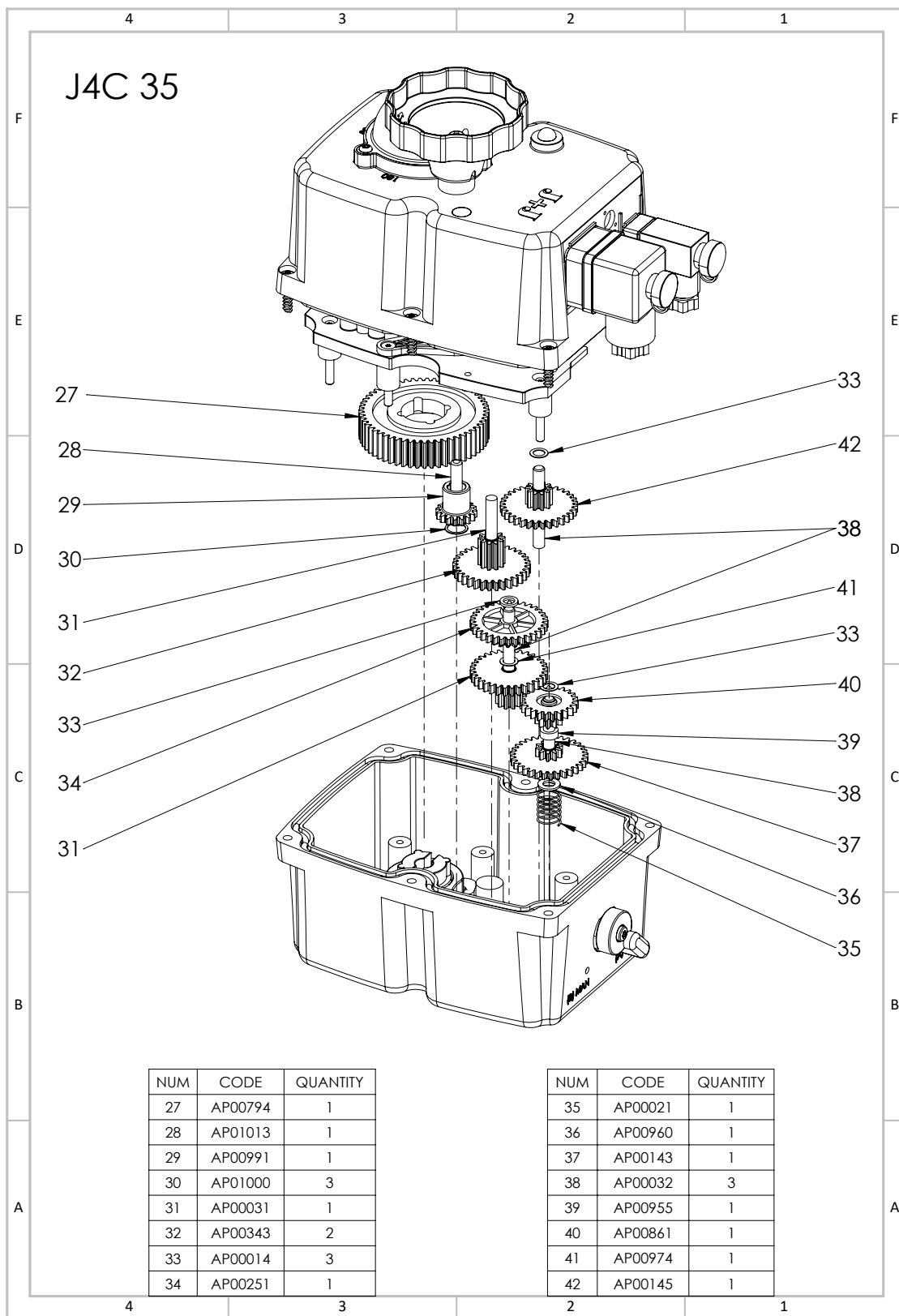
## J4C 35 SIZES



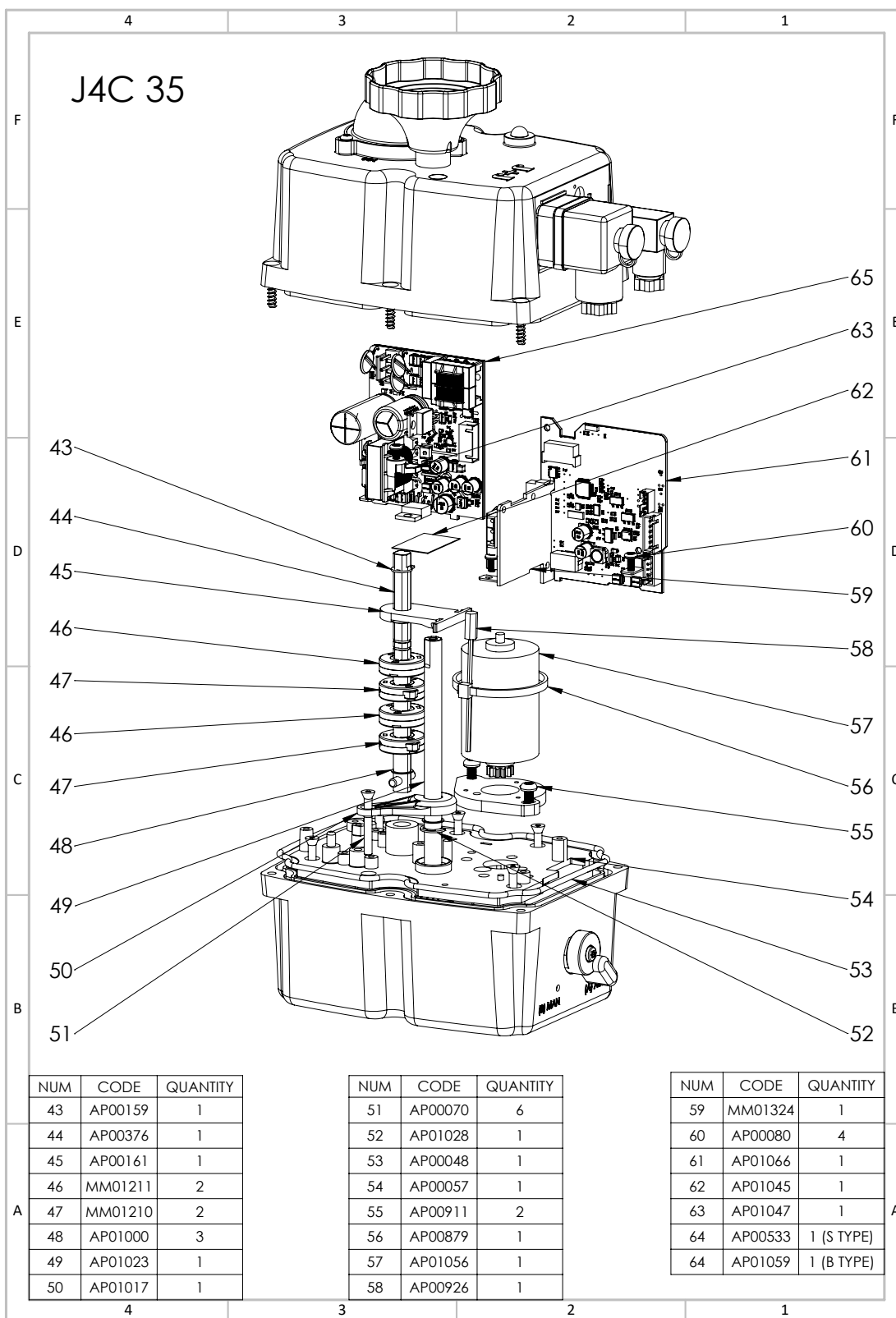
## Exploded View



# Exploded View



# Exploded View



## J4C 35 - DATOS TÉCNICOS

### Datos Técnicos

|                                       |   |
|---------------------------------------|---|
| <b>Tiempo de maniobra sin carga</b>   | 9 Sec. /90°                                     |
| <b>Par máximo arranque</b>            | 38 Nm / 359,3 lb/in                             |
| <b>Par máximo operacional</b>         | 35 Nm / 309 lb/in                               |
| <b>Tiempo bajo tensión</b>            | 75%   |
| <b>Ángulo de maniobra</b>             | 0° to 270°                                      |
| <b>Interruptores final de carrera</b> | 4 SPST NO micro (2 paro motor y 2 confirmación) |
| <b>Resistencia calefactora</b>        | 3,5 W   |
| <b>Conector grande</b>                | EN 175301-803 FORM A                            |
| <b>Conector pequeño</b>               | DIN43650/C                                      |
| <b>Grado protección IEC 60529</b>     | IP67  |
| <b>Temperatura</b>                    | -20°C +70°C / -4°F +158°F                       |
| <b>Brida ISO 5211</b>                 | Estándar: F03/F04/F05 Opcional: F07 *17mm       |
| <b>Salida doble cuadrado DIN 3337</b> | Estándar: *14 Opcional: *9, *11mm               |
| <b>Peso</b>                           | 1,79 kg   |



### Electronic Data

#### Limitador Electrónico de Par

**Motor** 24VDC Brushless motor

**Aislamiento** Class B

**(IEC 60034) Servicio** S4

#### Voltaje VDC/VAC 50/60Hz-0/+5%

**S35** 24-240 VDC/VAC

**B35** 12 VDC/VAC ONLY

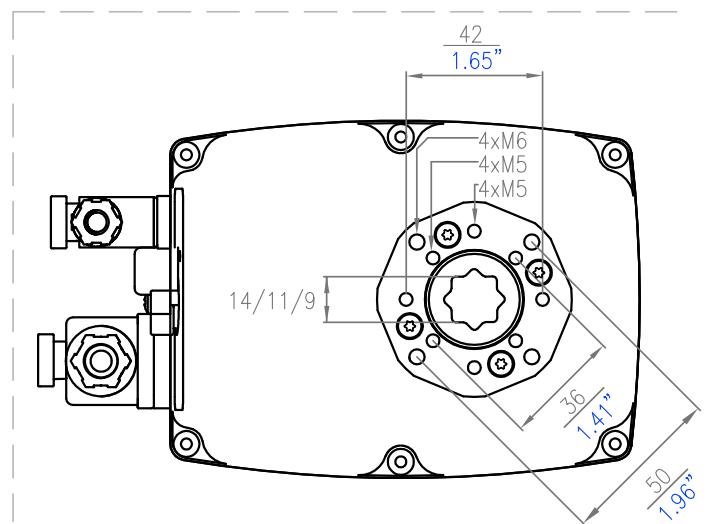
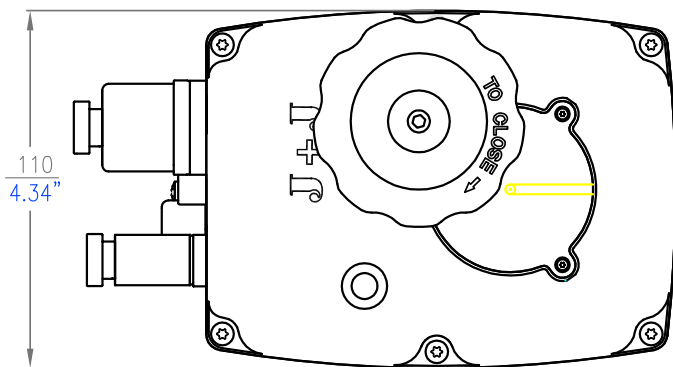
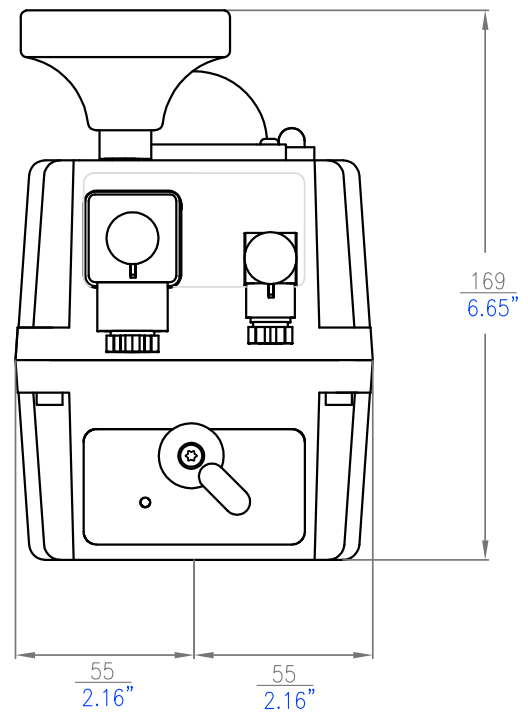
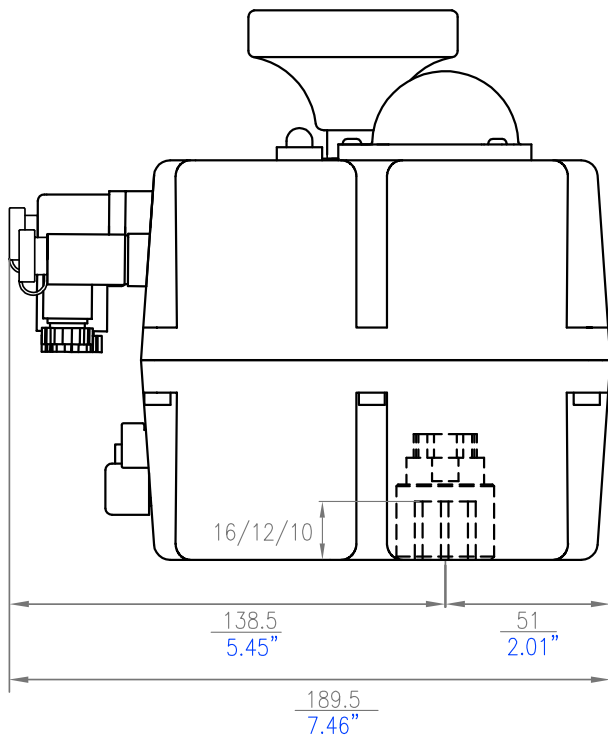
### Options

|  |                                |
|--|--------------------------------|
| <b>J4C 20/85 DPS KIT posicionador digital</b>              | 4-20mA, 0-20mA, 0-10V or 1-10V |
| <b>J4C 20/85 BSR KIT de retorno emergencia por bateria</b> | NC - NO                        |
| <b>Potenciómetro</b>                                       | 1K, 5K or 10K                  |
| <b>Actuador con 3 posiciones</b>                           | 0°-45°-90° or 0°-90°-180°      |

| Materials                           | Standard                            | Optional                        |
|-------------------------------------|-------------------------------------|---------------------------------|
| <b>Cuerpo</b>                       | Poliamida Anticorrosiva, color Gris | Polipropileno V0, color Negro   |
| <b>Tapa</b>                         | Poliamida Anticorrosiva, color Rojo | Polipropileno V0, color Natural |
| <b>Salida</b>                       | Zamak, tratamiento Cincado          | Zamak, tratamiento Teflonado    |
| <b>Brida</b>                        | Zamak y tratamiento Cincado         | Zamak y tratamiento Teflonado   |
| <b>Ejes principales externos</b>    | Acero inoxidable                    | -                               |
| <b>Tornilleria exterior</b>         | Acero inoxidable                    | -                               |
| <b>Engranajes</b>                   | Acero y poliamida                   | -                               |
| <b>Indicador visual de posición</b> | Poliamida                           | -                               |
| <b>Visor cúpula</b>                 | Policarbonato                       | -                               |
| <b>Levas internas ajustables</b>    | Poliamida                           | -                               |

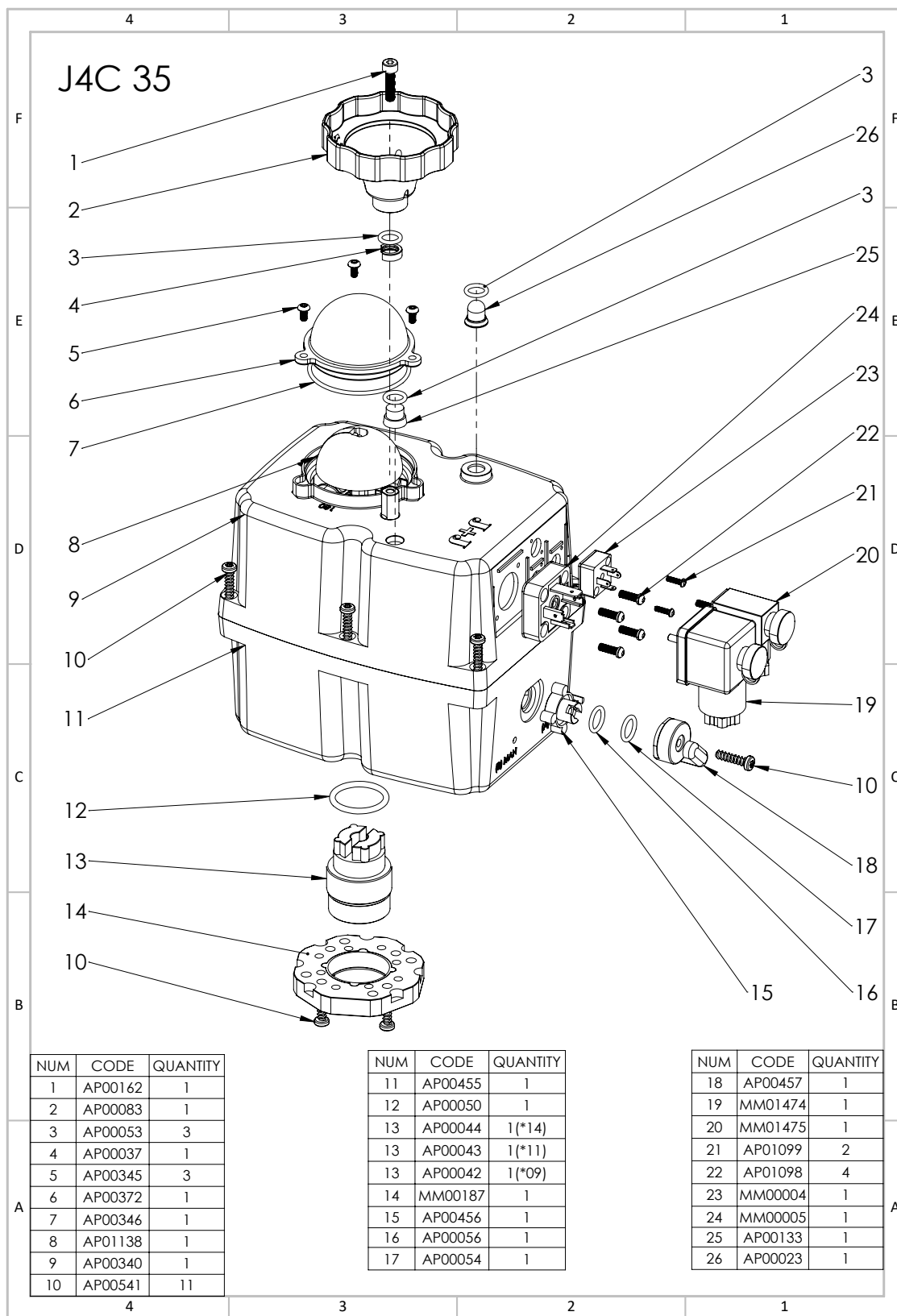
Nota: Los datos técnicos, no varían para los diferentes envoltentes

## MEDIDAS J4C 35

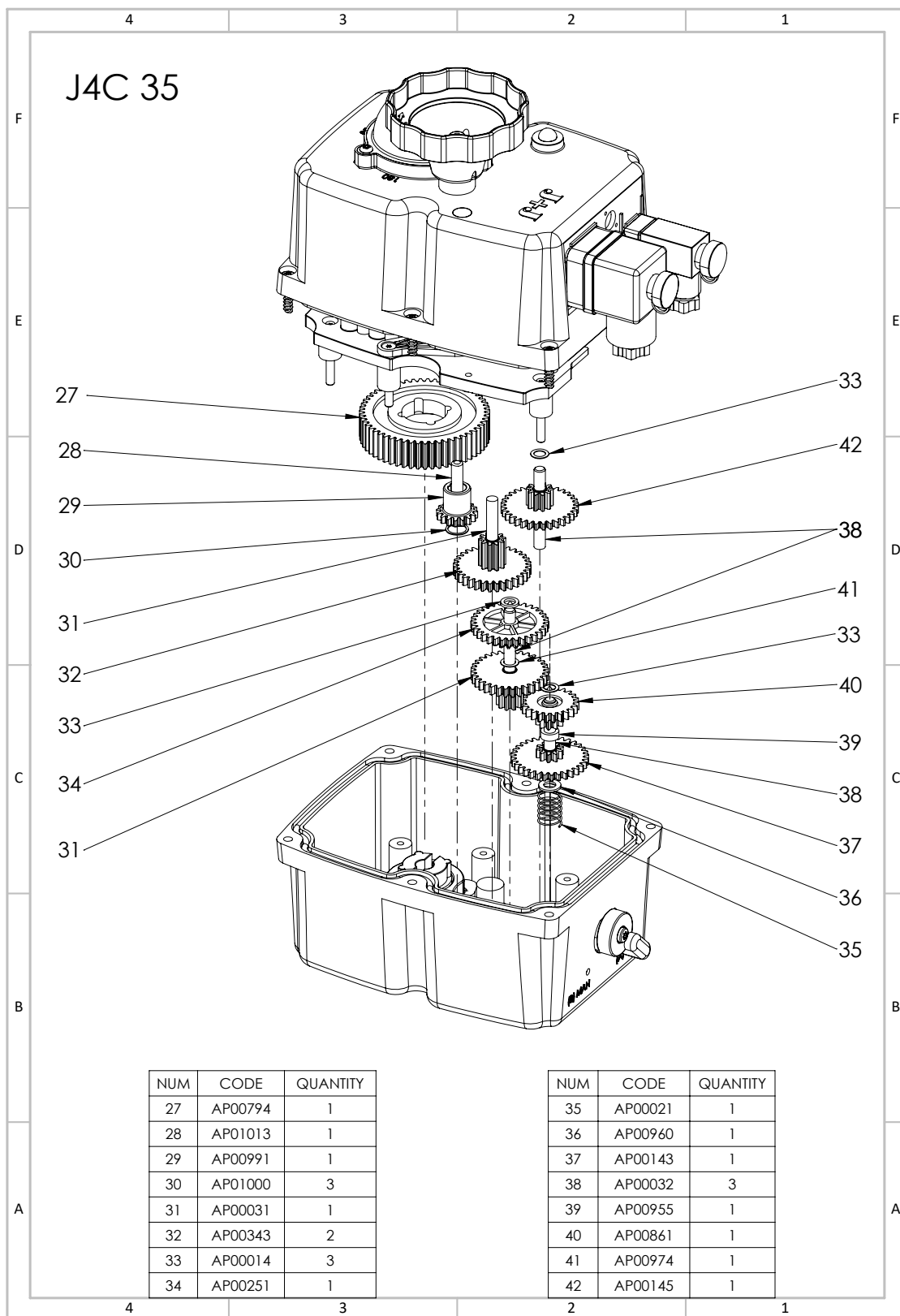




# Despiece



# Despiece



# Despiece

